



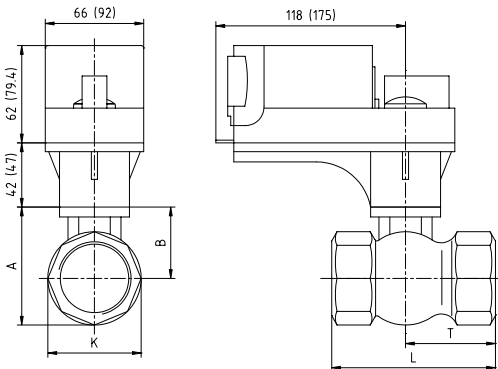
# VBA216 系列 铸造黄铜两通球阀

## 主要性能规范

产品	VBA216 系列铸造黄铜两通球阀	
用途	暖通空调系统	
流量特性	等百分比	
额定转角	90° (可实现不同角度限位)	
公称压力	1.6MPa	
工作温度	-5°C~ 120°C	
流量可调比	300 : 1	
介质	冷热水	
安装位置	水平管路垂直安装或者垂直管路水平安装	
允许泄漏率	≤0.01% of Kvs (ANSI/FCI 70-2 Class IV)	
端部连接	BSPP	
材料	阀体	黄铜
	球体	不锈钢
	阀座	增强聚四氟
	阀杆	不锈钢

1. 水应经过必要的处理, 请参照 VDI 2035 的标准。
2. 流量可调比的定义是指最大可控流量与最小可控流量之比。

## 主要外形尺寸



OS#	DN		L	T	K	A	B
	mm	In					
VBA216-020P	20	¾	60	34	38	49.5	30.5
VBA216-025P	25	1	65	38.5	44	56	34
VBA216-032P	32	1 ¼	75	45	54	65	38
VBA216-040P	40	1 ½	85	51.5	60	78	48
VBA216-050P	50	2	95	56.5	73	90	53.5
VBA216-065P	65	2 ½	115	63.5	92	110	64
VBA216-080P	80	3	130	83	109	127.5	73

## 说明

- 当在现场安装电动执行器时, 先用扳手将阀杆转动数次, 这种转动将会消除由于长期存放所产生的力矩。
- 安装时注意介质流向, 确保阀门以正确的方向转动, 对电动执行器进行恰当的电器布线。
- 欲了解 CN7505A2001 系列非弹簧复位电动执行器请参照电动执行器说明书。
- 欲了解 CN7510A2001 系列非弹簧复位电动执行器请参照电动执行器说明书。
- 欲了解 CN7220A2007 系列非弹簧复位电动执行器请参照电动执行器说明书。

- 不要让机器内部的流体结冻, 否则可能会损伤阀本体, 成为泄漏的原因。
- 配管时要进行冲洗以确保管内无残留异物, 建议在阀门前安装过滤器增加阀门安全功能。
- 防止电动执行器遭水滴、冷凝水或其它潮气入侵, 水和潮气会使电器短路从而影响电动执行器的使用, 甚者更会造成电动执行器的损坏。
- 不得在电动执行器上覆盖隔热材料, 温度过高会损坏电动执行器。



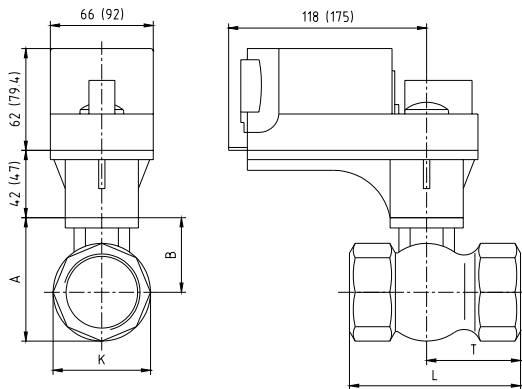
# VBA216 SERIES CASTING BRASS TWO-WAY BALL VALVE

## TECHNICAL SPECIFICATIONS

Product	VBA216 Series Casting Brass Two-way Ball Valve	
Service	HVAC Systems	
Flow Characteristics	Equal Percentage	
Rated Rotary Angle	90° (Different angle can be limited)	
PN	1.6MPa	
Working Temperature	-5°C~ 120°C	
Rangeability	300 : 1	
Medium	Chilled and Hot Water	
Installation Station	Vertical installation of horizontal piping or horizontal installation of vertical piping	
Leakage	≤0.01% of Kvs (ANSI/FCI 70-2 Class IV)	
End Connections	BSPF	
Material	Body	Casting Brass
	Ball	Stainless Steel
	Seat	Reinforced PTFE
	Stem	Stainless Steel

1. Proper water treatment is recommended; refer to VDI 2035 Standard.
2. Range ability is defined as the ratio of maximum controllable flow to minimum controllable flow.

## MAIN OUTLINE DIMENSIONS



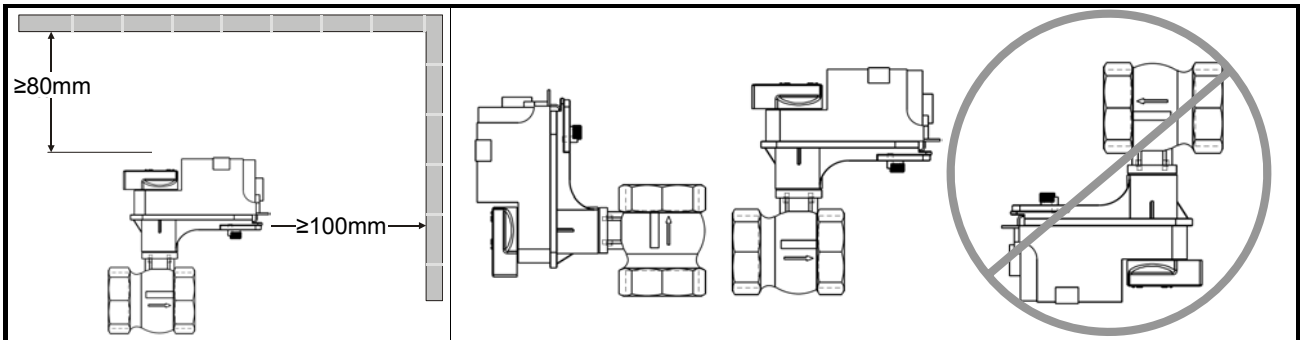
OS#	DN		L	T	K	A	B
	mm	In					
VBA216-020P	20	¾	60	34	38	49.5	30.5
VBA216-025P	25	1	65	38.5	44	56	34
VBA216-032P	32	1 ¼	75	45	54	65	38
VBA216-040P	40	1 ½	85	51.5	60	78	48
VBA216-050P	50	2	95	56.5	73	90	53.5
VBA216-065P	65	2 ½	115	63.5	92	110	64
VBA216-080P	80	3	130	83	109	127.5	73

## NOTES

- When mounting the actuator in the fields, before installing the actuator, use an adjustable wrench to manually rotate the valve stem several times. This rotation breaks the torque that may have built up during long-term storage.
- Pay attention to medium flow direction, make sure the valve to move in the proper direction, wire the input lines to the electric actuator correctly.
- CN7505A2001 Series Electric Non-Spring Return Actuator refer to actuator instructions.
- CN7510A2001 Series Electric Non-Spring Return Actuator refer to actuator instructions.
- CN7220A2007 Series Electric Non-Spring Return Actuator refer to actuator instructions.

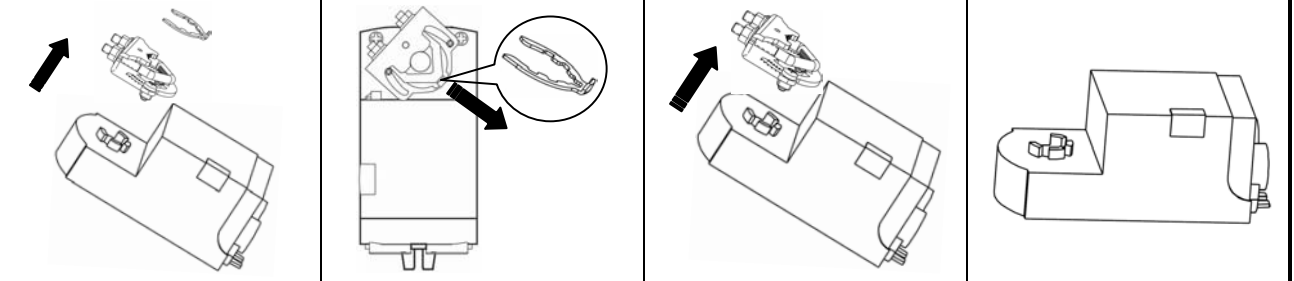
- Prevent fluid from freezing. This may cause equipment damage and fluid leakage.
- Flush pipe so that no foreign substance remains, Proposal installed filters before the valve for valve safety.
- Protect the actuator from dripping water, condensation, and other moisture. Water or moisture could result in an electrical short, which may damage or affect the operation of the actuator.
- Do not cover the actuator with thermal insulating material. High ambient temperatures may damage the actuator.

安装说明 • INSTALLATION INSTRUCTIONS

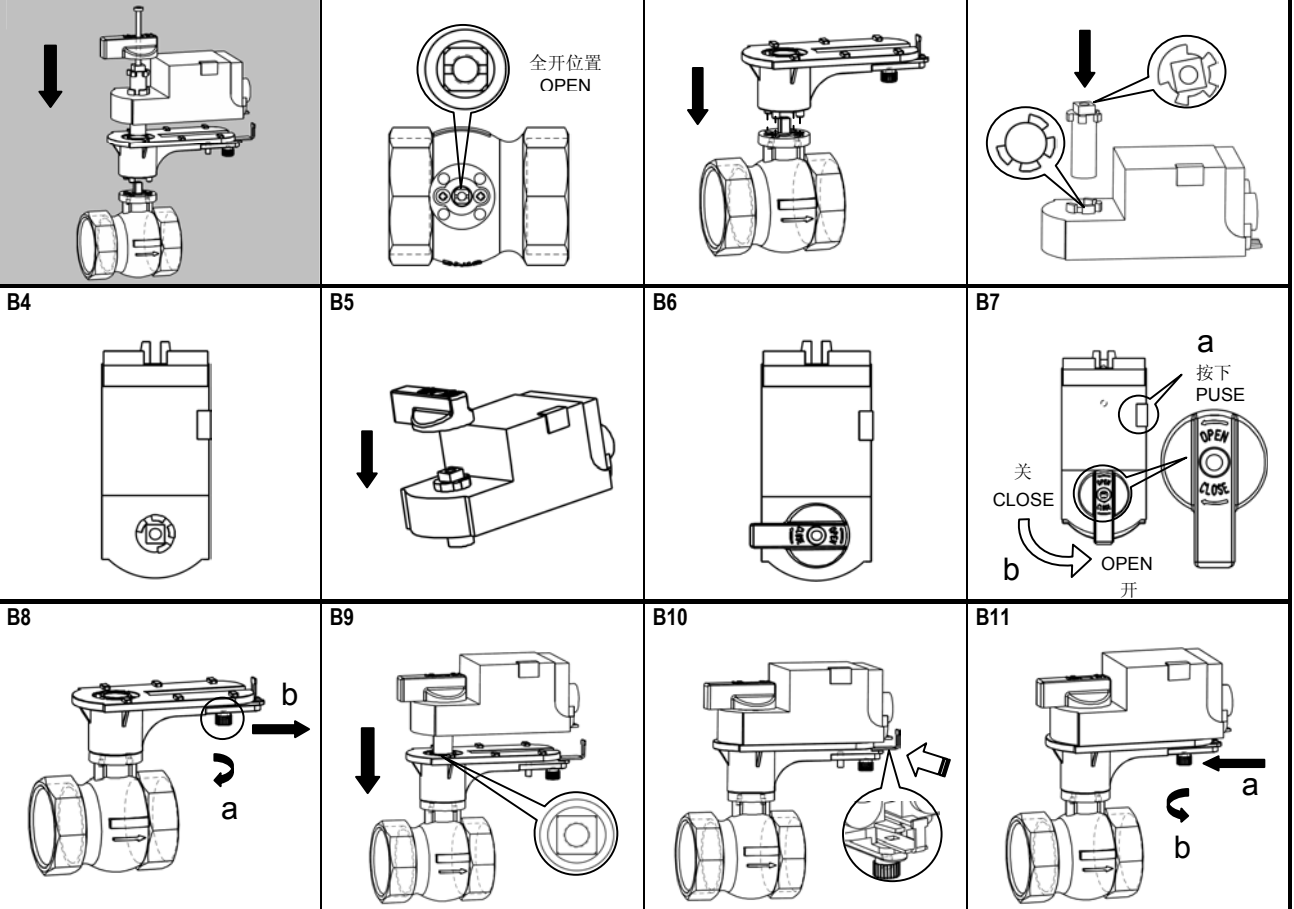


CN7505A2001, CN7510A2001 系列执行器与阀门的安装如下所示  
 CN7505A2001, CN7510A2001 Series actuator and valve installation please see below

A1-A3: 执行器锁紧扣的拆卸  
 Actuator Locking Part Teardown



B1-B14: 执行器与阀门的安装  
 Actuator and Valve installation



<p><b>B12</b></p>	<p><b>B13</b></p>	<p><b>B14</b></p>	<p><b>手动操作 • Manual</b></p>
<p>CN7220A2007 系列执行器与阀门的安装如下所示 CN7220A2007 Series actuator and valve installation please see below</p>			
<p><b>C1-C10: 执行器与阀门的安装 Actuator and Valve Installation</b></p>			
<p><b>C1</b></p>	<p><b>C2</b></p>	<p><b>C3</b></p>	<p><b>C4</b></p>
<p><b>C5</b></p>	<p><b>C6</b></p>	<p><b>C7</b></p>	<p><b>C8</b></p>
<p><b>C9</b></p>	<p><b>C10</b></p>	<p><b>手动操作 • Manual</b></p>	

霍尼韦尔环境自控产品（天津）有限公司  
天津经济技术开发区南海路 158 号  
邮编： 300457  
电话：（86-22）6628 7000  
传真：（86-22）2532 5214

**Honeywell Environmental and Combustion Controls (Tian Jin) Co., Ltd**  
No. 158, NanHai Road TEDA Tianjin, 300457, P.R.C.  
Tel: (86-22) 6628 7000  
Fax: (86-22) 2532 5214